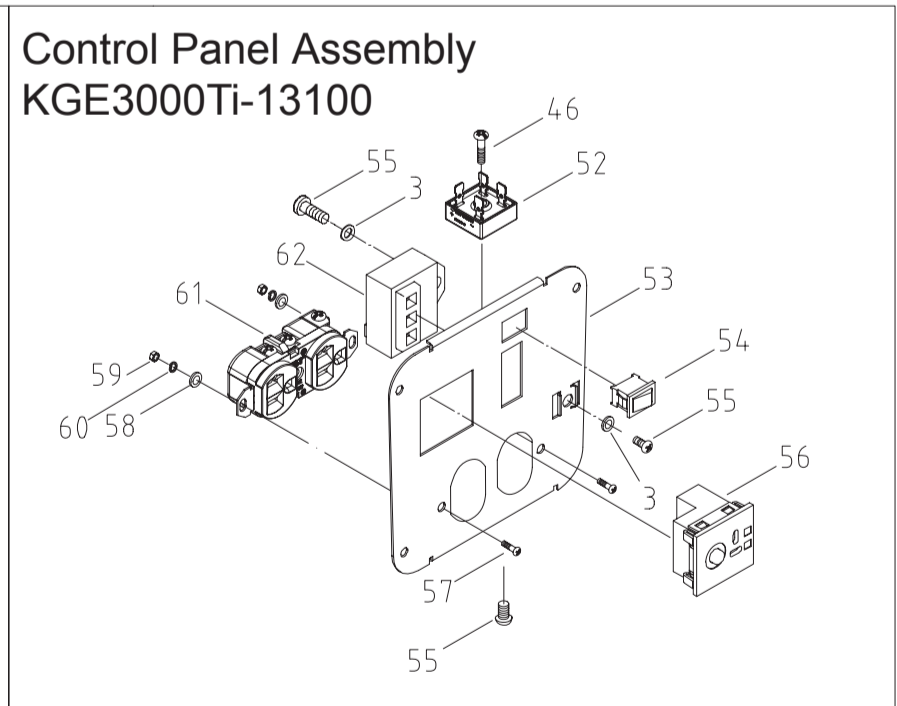
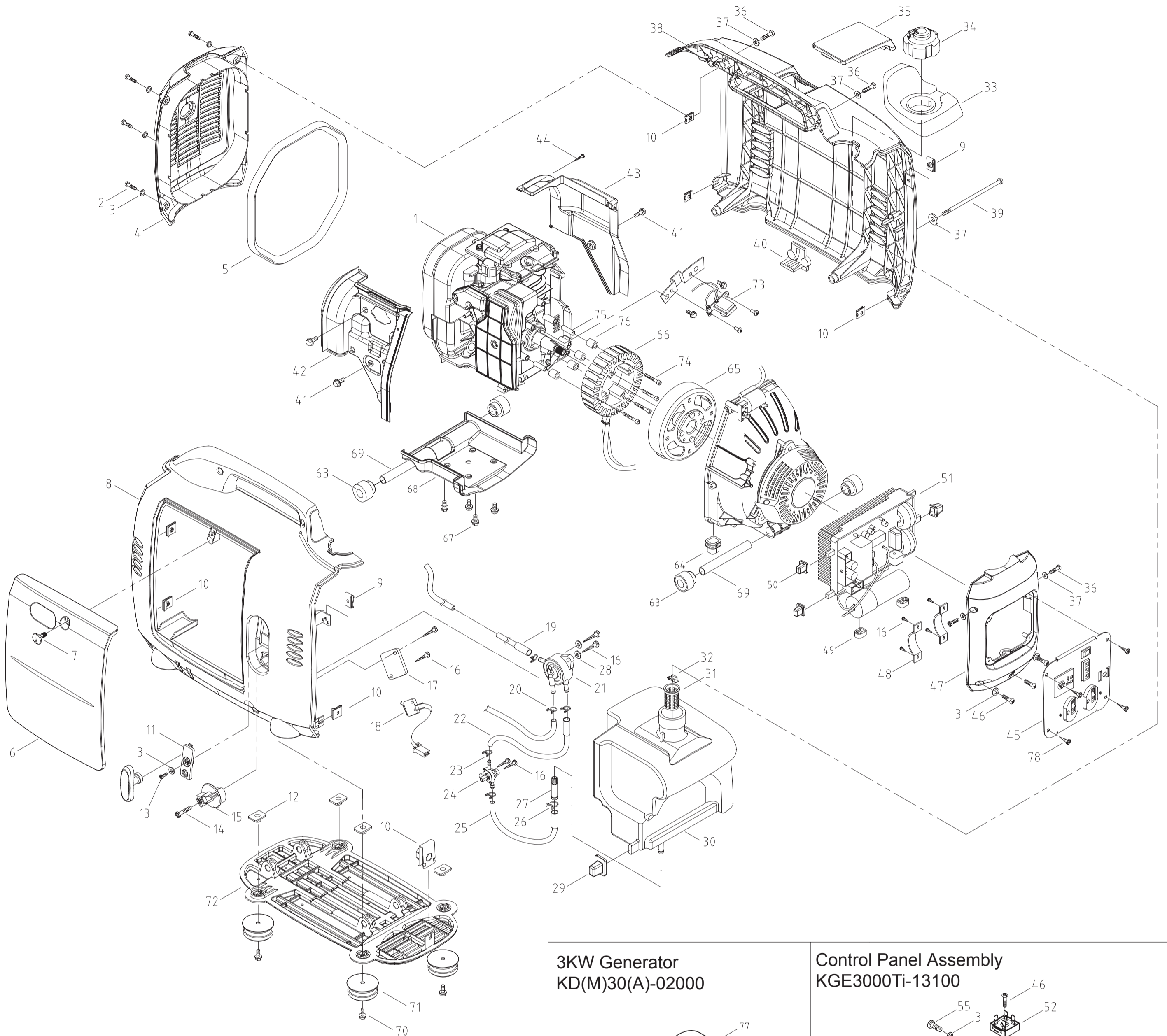


ASSEMBLY AND PARTS DRAWING

IG2600



No.	Part No.	Description	Qty.	No.	Part No.	Description	Qty.	No.	Part No.	Description	Qty.	No.	Part No.	Description	Qty.
1	KG166-00000	KG166 Gasoline Engine Assembly	1	18	KW4A-Z6CSF200	Microswitch	1	35	KGE3000Ti-03600	Top Window	1	52	KBPC2510	Rectifier	1
2	GB/T818-2000	Plus Screw M5X16	4	19	KGE3000Ti-07003a	Fuel Pipe	1	36	GB/T818-2000	Plus Screw M6X20	4	53	KGE3000Ti-13110	Control Panel	1
3	GB/T97.1-2002	Washer 5	9	20	KGE1000Ti-07007	Hoop 9	3	37	GB/T97.1-2002	Washer 6	6	54	RF-1003-BB2	Smart Switch	1
4	KGE3000Ti-03200	Rear Cover and Inlay	1	21	KGE1000Ti-07100	Fuel Vacuum Pump Parts	1	38	KGE3000Ti-03300	Right Shell and Inlay	1	55	GB/T818-2000	Plus Screw M5X12	3
5	KGE3000Ti-03001	Rear Cover Seal Strip	1	22	KGE2000Ti-07002	Fuel Pipe	1	39	KGE3000Ti-03002	Hexagonal Groove Bolt	2	56	WZ-22	DC Receptacle	1
6	KGE3000Ti-03500	Side Door Subassembly	1	23	KGE1000Ti-07006	Hoop 7	2	40	KGE3000Ti-03012	Cross Protect Bracket of Right Shell	1	57	GB/T818-2000	Plus Screw M4X16	2
7	KGE3000Ti-00006	Screw M6 (Blacken)	1	24	KGE1000Ti-07300	Oil Switch Assembly	1	41	GB/T5789-2000	Hexagonal Flange Bolt M6X12	3	58	GB/T97.1-2002	Washer 4	2
8	KGE3000Ti-03400	Left Shell and Inlay	1	25	KGE3000Ti-07001	Fuel Pipe	1	42	KGE3000Ti-04200	Inlet Side Deflector	1	59	GB/T41-2000	Hexagonal Nut M4	2
9	KGE3000Ti-03008	Plug-in M6	2	26	KGE1000Ti-07012	Fuel Pipe	1	43	KGE3000Ti-04100	Exhaust Side Deflector	1	60	GB/T93-1987	Elastic Washer 4	2
10	KGE3000Ti-03008	Plug-in M5	7	27	KGE1000Ti-07004	Strainer	1	44	GB/T845-1985	Screw ST2.9X12	1	61	5-20R	A-type Doublet Receptacle	1
11	KGE1000Ti-06102	Handle Fixed Seat	1	28	GB/97.1-2002	Washer 4	2	45	KGE3000Ti-13100	Control Panel Assembly	1	62	K1-DHQ-30	Three-in-One Ignitor	1
12	KGE3000Ti-03009	Plug-in	4	29	KGE3000Ti-03014	Shock Absorption Sleeve of Fuel Tank	1	46	GB/T818-2000	Plus Screw M5X20	4	63	KGE3000Ti-12101a	Shock Absorption Sleeve	4
13	GB/T818-2000	Plus Screw M5X12 (Blacken)	1	30	KGE3000Ti-07100	Fuel Tank	1	47	KGE3000Ti-03100	Front Cover and Inlay	1	64	KGE2000Ti-04400	Seal Gasket of Motor Wire Outlet	1
14	KGE1000Ti-07304	Screw	1	31	KGE1000Ti-07011	Filter Cup	1	48	KGE3000Ti-13003	Pressure Strip	2	65	KD(M)30(A)-02200	Rotor Assembly	1
15	KGE1000Ti-07008	Oil Switch Handle	1	32	KGE1000Ti-07013	Oil Scale	1	49	KGE1000Ti-00008	Shock Pad	2	66	KD(M)30(A)-02100	Stator Assembly	1
16	GB/T845-1985	Screw ST3.8X16	10	33	KGE3000Ti-07005	Fuel Tank Gasket	1	50	KGE1000Ti-00004	Rubber Square Protect Bracket	3	67	GB/T5789-2000	Hexagonal Flange Bolt M8X16	4
17	KGE3000Ti-03017	Micro switch Baffle	1	34	KGE1000Ti-07200	Fuel Tank Cover Parts	1	51	DU25	Inverter Unit	1	68	KGE3000Ti-04300	Lower Air Duct Deflector	1